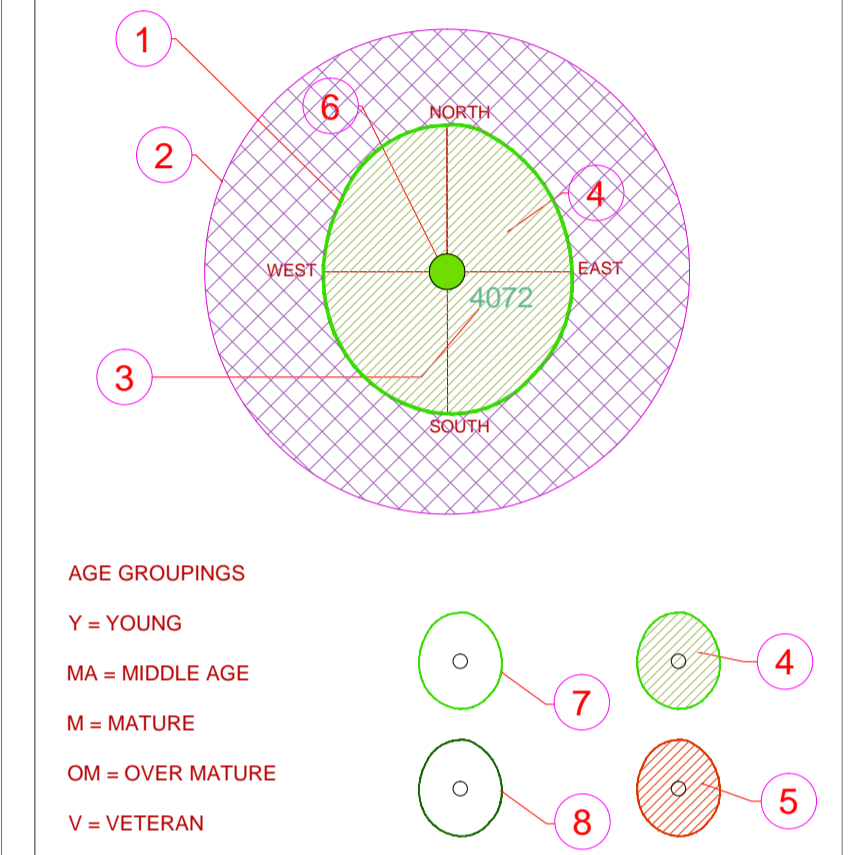


Notes
Please refer to Table 1 'Tree inventory for project at Fermoy'

Rev.	Date	Description

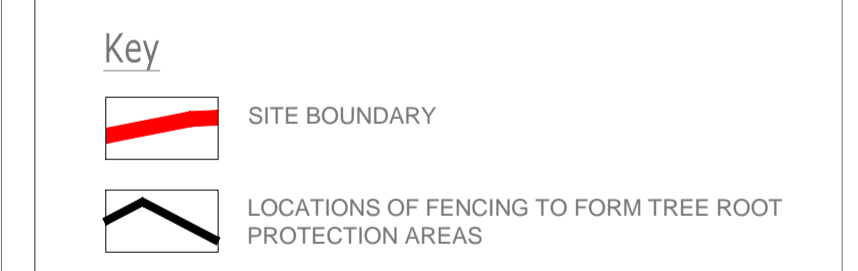
Legend:

- Category (A, A1, A2, A3)**
Those of high quality and value: in such a condition as to be able to make a substantial contribution (a minimum of 40 years)
- Category (B, B1, B2, B3)**
Those of moderate quality and value: those in such a condition as to make a significant contribution (a minimum of 20 years)
- Category (C, C1, C2, C3)**
Those of low quality and value: currently in adequate condition to remain until new planting could be established (a minimum of 10 years) or young trees with a stem diameter below 150mm
- Category (U)**
Those in such condition that any existing value would be lost within 10 years and which should, in the current context, be removed for reason of sound agroecological management



- 1 EXISTING TREE CANOPY BASED ON DIMENSIONS GATHERED ON SITE IN 4 DIRECTIONS, NORTH, SOUTH, EAST AND WEST
- 2 ROOT PROTECTION ZONE BASED ON 12 TIMES THE (DBH) AT CHEST HEIGHT
- 3 TREE TAG NUMBER
- 4 TREE TO BE RETAINED
- 5 TREE TO BE REMOVED
- 6 TREE CATEGORY BASED ON BS:5837 2012 CRITERIA
- 7 DECIDUOUS TREE CANOPY
- 8 EVERGREEN TREE CANOPY

01 TABLES BS 5837-2012



Client:
CUMNOR

Project:
Tree Survey for the proposed development at Fermoy

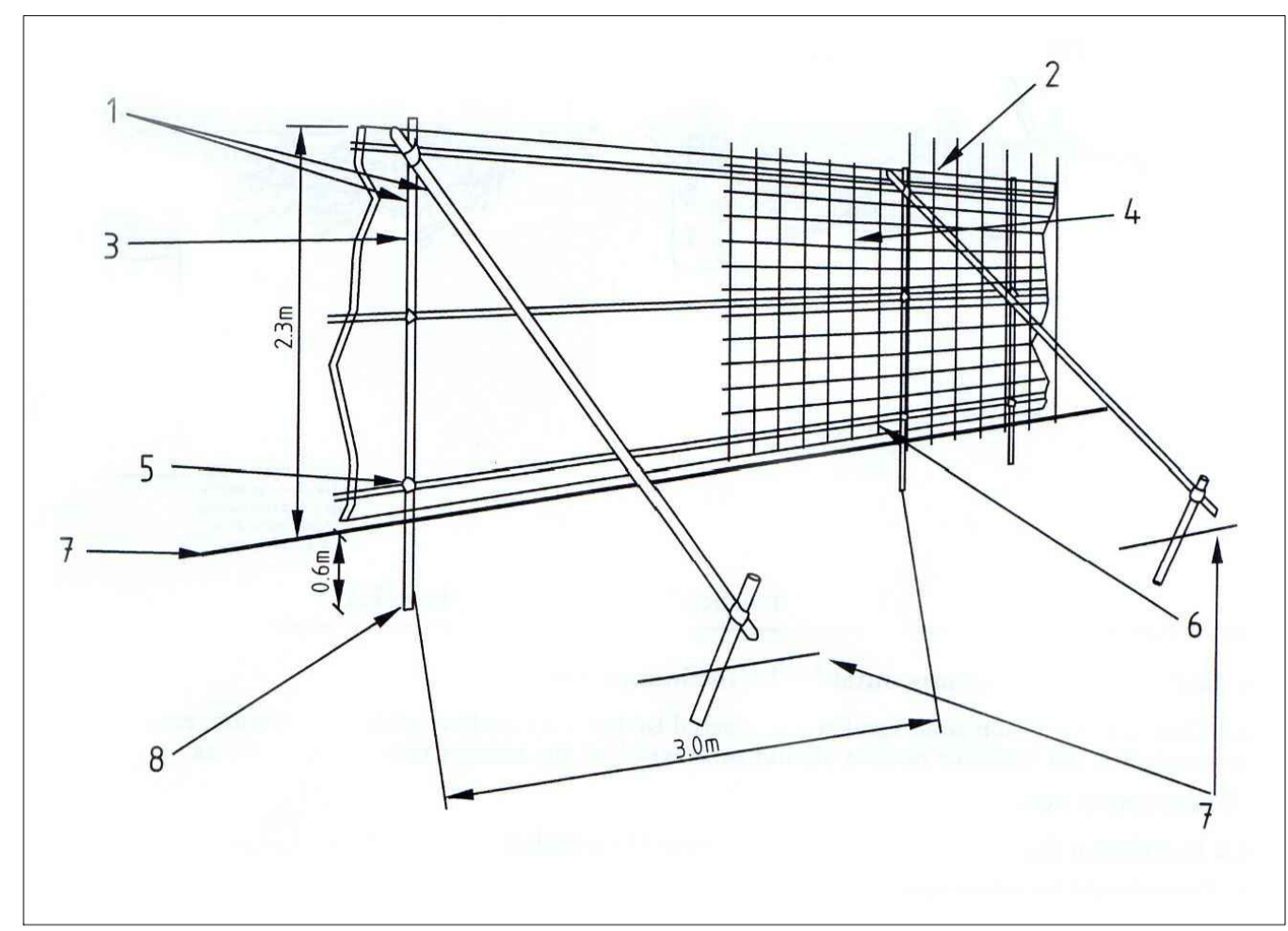
Drawing Title:
Tree Protection Plan - Fermoy

Drawn By: RS	Checked By: MG	Date: 17/02/2020	Scale: 1:1000@A1
Drg. No. FM-TS-002	CAD File: FM-TS_002.dwg	Issued For: Information	Rev. -

Arbor Care
Unit 1a
Crossagalla Enterprise Centre
Ballysimon Road
Limerick
Ireland

Phone: +353 (0)863082808
Fax: +353 (0)864400321
Email: info@arborcare.ie
Web: www.arborcare.ie

Diagrammat
Considering Care Science



The above displays an example of a suitable protective barrier as recommended by BS. 5837 2012 Trees in Relation to Construction

- Standard scaffold poles
- Uprights to be driven into the ground
- Panels secured to uprights with wire ties and where necessary standard scaffold poles
- Weld mesh wired to the uprights and horizontals
- Standard clamps
- Wire twisted and secured on the inside of fencing to avoid easy dismantling
- Ground level
- Approx. 0.6m driven into the ground

